

SM 343 H
SM 342 H

Continuous Zoom Stereo Microscope Head



SM 343 H



SM 342 H

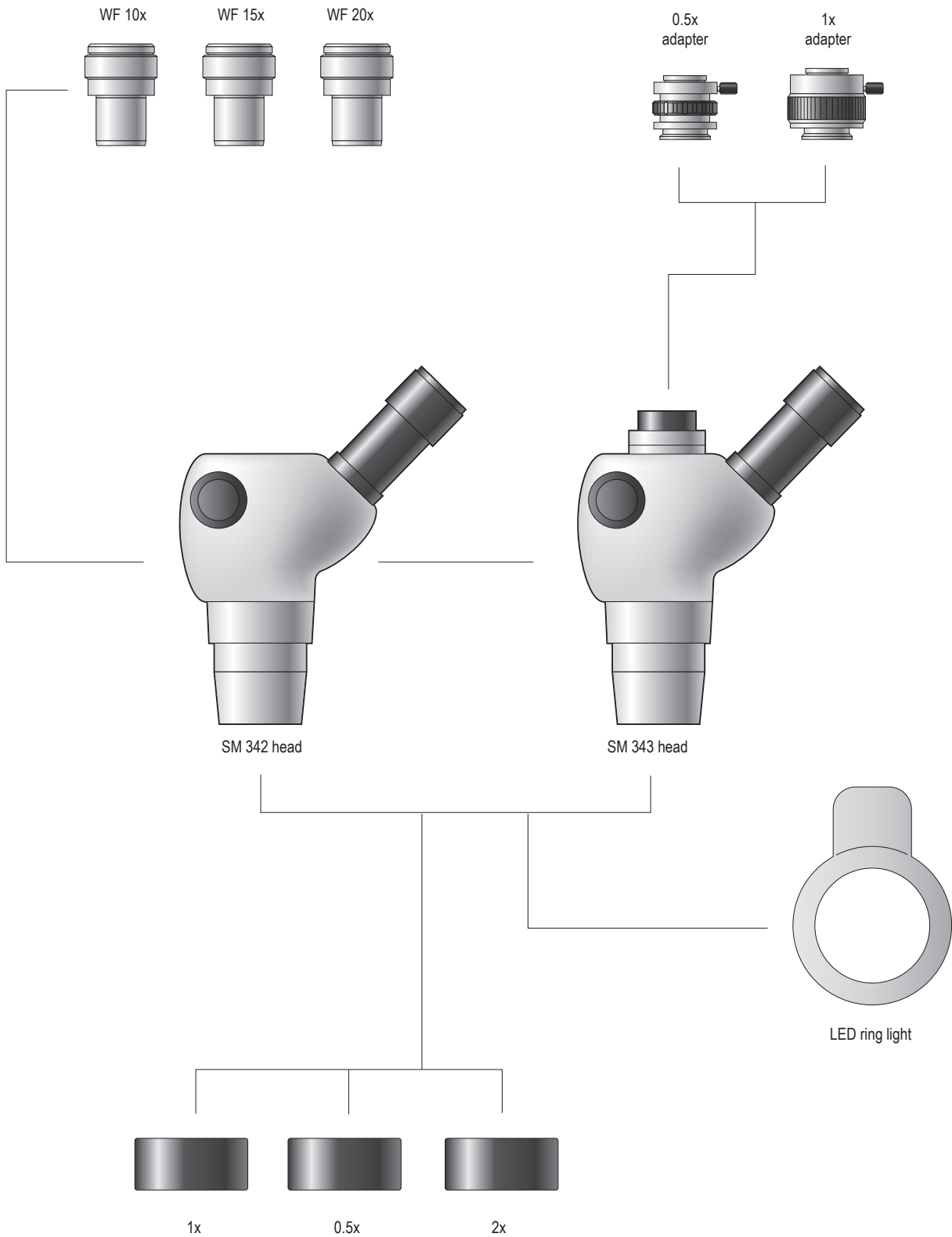
Model	SM 343 H	SM 342 H
Optical system	Greenough stereoscopic	Greenough stereoscopic
Total magnification	From 8x to 50x	From 8x to 50x
Eyepiece	H WF 10x (ø22mm)	H WF 10x (ø22mm)
Zoom objectives	0.8x-5x	0.8x-5x
Zoom ratio	1:6.3	1:6.3
Zoom mode	Continuous zoom by double hand wheel	Continuous zoom by double hand wheel
Plan achromatic objective	1x WD=115.00mm	1x WD=115.00mm
Head	Trinocular	Binocular
	Inclination of 45°	Inclination of 45°
	Interpupillary distance 52-76mm	Interpupillary distance 52-76mm
	Diopter adjustable ±5	Diopter adjustable ±5
Dimensions	310x215x225mm	310x215x225mm
Weight	2kg	2kg

Optional accessories

Model	Description
SM340eyp015x	Eyepiece WF 15x (ø16mm)
SM340eyp020x	Eyepiece WF 20x (ø12.5mm)
SM340lens0.5x	Objective PL 0.5x WD=211.00mm
SM340lens2x	Objective PL 2x WD=43.50mm
SM000002	LED ring with 60 bulbs
SM000001	Eyeshield
SM340001	Camera adapter 0.5x
SM340002	Camera adapter 1x

COMPONENTS DIAGRAM

SM 343 H / SM 342 H





DEVCO S.r.l.

Via Marzabotto, 59 20037 Paderno Dugnano (MI)
Tel +39 0283591153 - Fax. +39 0295441300
www.devcosrl.it - e-mail: info@devcosrl.it

www.echo-lab.it